



**GIA**  
GEMOLOGICAL INSTITUTE OF AMERICA®

5355 Armada Drive | Carlsbad, CA 92008-4602  
T: 760-603-4500 | F: 760-603-1814

**GIA Laboratories**  
Bangkok Carlsbad Gaborone  
Johannesburg Mumbai New York

www.gia.edu

**COLORED DIAMOND GRADING REPORT**

September 25, 2012

Laser Inscription Registry ..... **GIA 1142970871**  
Shape and Cutting Style . **Modified Square Brilliant**  
Measurements ..... 6.94 x 6.64 x 4.68 mm

GIA REPORT 1142970871

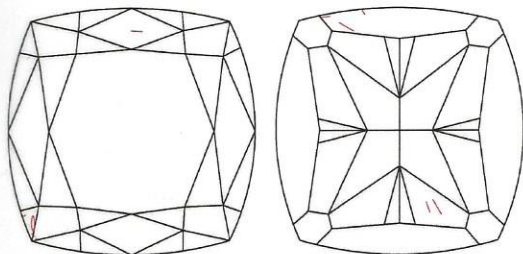
**GRADING RESULTS**

Carat Weight ..... **2.05 carat**  
Color .....  
Origin ..... **NATURAL**  
Grade ..... **FANCY INTENSE YELLOW**  
Distribution ..... **Even**  
Clarity Grade ..... **VS1**

**ADDITIONAL GRADING INFORMATION**

Finish  
Polish ..... **Very Good**  
Symmetry ..... **Very Good**  
Fluorescence ..... **None**  
Comments:  
Surface graining is not shown.

**REFERENCE DIAGRAMS**



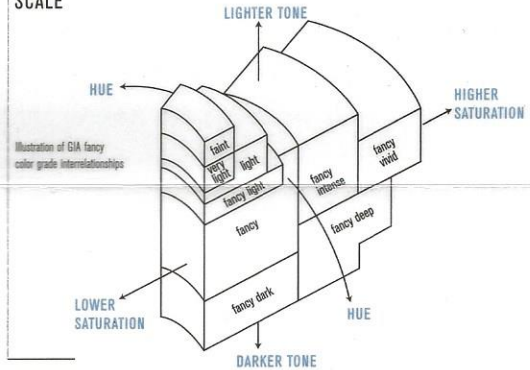
**KEY TO SYMBOLS**

- Crystal
- ~ Feather
- \\ Needle

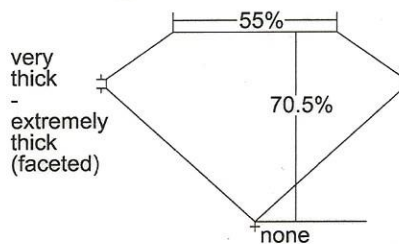
Red symbols denote internal characteristics (inclusions). Green or black symbols denote external characteristics (blemishes). Diagram is an approximate representation of the diamond, and symbols shown indicate type, position, and approximate size of clarity characteristics. All clarity characteristics may not be shown. Details of finish are not shown.

GIA CLARITY SCALE	
FLAWLESS	
INTERNALLY FLAWLESS	
VVS <sub>1</sub>	VERY VERY SLIGHTLY INCLUDED
VVS <sub>2</sub>	VERY VERY SLIGHTLY INCLUDED
VS <sub>1</sub>	VERY SLIGHTLY INCLUDED
VS <sub>2</sub>	VERY SLIGHTLY INCLUDED
S <sub>1</sub>	SLIGHTLY INCLUDED
S <sub>2</sub>	SLIGHTLY INCLUDED
I <sub>1</sub>	
I <sub>2</sub>	INCLUDED
I <sub>3</sub>	INCLUDED

**GIA COLORED DIAMOND SCALE**



210517835627



Profile not to actual proportions

This Report is not a guarantee, valuation or appraisal and contains only the characteristics of the diamond described herein after it has been graded, tested, examined and analyzed by the laboratory providing this Report ("GIA") and/or has been inscribed using the techniques and equipment used by GIA at the time of the examination and/or inscription. Inscriptions reported in this document are not a guarantee, validation, or warranty of a diamond's quality, country of origin or source; or that the diamond will be identifiable by the inscription in the future (since inscriptions can be removed). GIA makes no representation concerning any trademark, word, or symbol which is inscribed by GIA or which is identified on this Report. The recipient of this Report may wish to consult a credentialed jeweler or gemologist about the information contained herein.



The security features in this document, including the hologram, security screen and microprint lines, in addition to those not listed, exceed document security industry guidelines.

**IMPORTANT LIMITATIONS ON BACK**  
©2008 GEMOLOGICAL INSTITUTE OF AMERICA, INC.



**GIA**  
GEMOLOGICAL INSTITUTE OF AMERICA®

5355 Armada Drive | Carlsbad, CA 92008-4602  
T: 760-603-4500 | F: 760-603-1814

**GIA Laboratories**  
Bangkok Carlsbad Gaborone  
Johannesburg Mumbai New York  
[www.gia.edu](http://www.gia.edu)

**COLORED DIAMOND GRADING REPORT**

August 09, 2012

Laser Inscription Registry ..... **GIA 2145851169**  
Shape and Cutting Style . **Modified Square Brilliant**  
Measurements ..... 6.63 x 6.61 x 4.77 mm

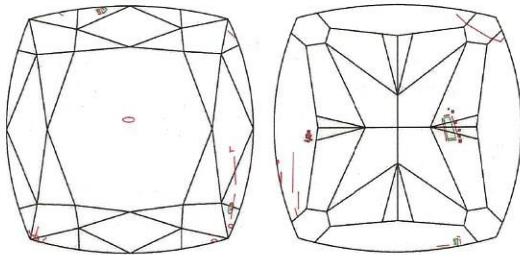
GIA REPORT 2145851169

**Carat Weight** ..... **2.01 carat**  
**Color**  
Origin ..... **NATURAL**  
Grade ..... **FANCY INTENSE**  
..... **YELLOW**  
Distribution ..... **Even**  
**Clarity Grade** ..... **SI1**

**ADDITIONAL GRADING INFORMATION**

**Finish**  
Polish ..... **Excellent**  
Symmetry ..... **Good**  
Fluorescence ..... **None**  
**Comments:**  
A patch of color is not shown.

**REFERENCE DIAGRAMS**



**KEY TO SYMBOLS**

- Feather
- Indented Natural
- Crystal
- Cavity
- Etch Channel
- Natural

Red symbols denote internal characteristics (inclusions). Green or black symbols denote external characteristics (blemishes). Diagram is an approximate representation of the diamond, and symbols shown indicate type, position, and approximate size of clarity characteristics. All clarity characteristics may not be shown. Details of finish are not shown.

**GIA CLARITY SCALE**

FLAWLESS  
INTERNALLY  
FLAWLESS

VVS<sub>1</sub>  
VVS<sub>2</sub>

VS<sub>1</sub>

VS<sub>2</sub>

SI<sub>1</sub>

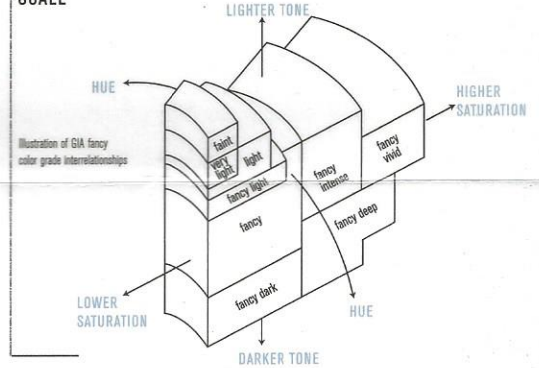
SI<sub>2</sub>

I<sub>1</sub>

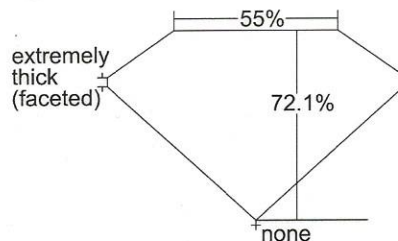
I<sub>2</sub>

I<sub>3</sub>

**GIA COLORED DIAMOND SCALE**



110217517740



Profile not to actual proportions

This Report is not a guarantee, valuation or appraisal and contains only the characteristics of the diamond described herein after it has been graded, tested, examined and analyzed by the laboratory providing this Report ("GIA") and/or has been inscribed using the techniques and equipment used by GIA at the time of the examination and/or inscription. Inscriptions reported in this document are not a guarantee, validation, or warranty of a diamond's quality, country of origin or source; or that the diamond will be identifiable by the inscription in the future (since inscriptions can be removed). GIA makes no representation concerning any trademark, word, or symbol which is inscribed by GIA or which is identified on this Report. The recipient of this Report may wish to consult a credentialed jeweler or gemologist about the information contained herein.



The security features in this document, including the hologram, security screen and microprint lines, in addition to those not listed, exceed document security industry guidelines.

**IMPORTANT LIMITATIONS ON BACK**  
©2008 GEMOLOGICAL INSTITUTE OF AMERICA, INC.



# Gemmological Report



No.	14038117 / 1 and 2
Date	29 March 2014
Item	Two faceted gemstones (tested insofar as mounting permits), set in a pair of yellow metal ear-pendants with two yellow gemstones (not tested) and numerous round diamonds (identified at random).
Weight	total weight of emeralds: 16.88 ct (as indicated by the client)
Shape	pear-shape
Cut	brilliant cut / step cut
Measurements	1) approximately 16.85 x 11.45 x 7.10 mm 2) approximately 16.80 x 11.45 x 7.30 mm
Transparency	transparent
Colour	green
Species	Natural beryl
Variety	Emerald
Origin	Gemmological testing revealed characteristics consistent with those of emeralds originating from: Colombia
Condition	Indications of minor clarity enhancement. Natural emeralds are commonly clarity enhanced. Important notes and limitations on the reverse.

*A. Spinguardi*  
Alessandra Spingardi

*Bonita Kwok*  
Bonita Kwok